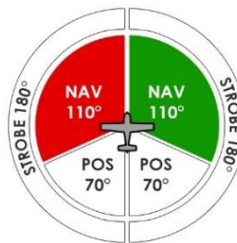


PowerBurst NG DayLite™

Navigation / Position / Strobe LED light



Often copied, never matched

WATERPROOF, VIBRATION PROOF

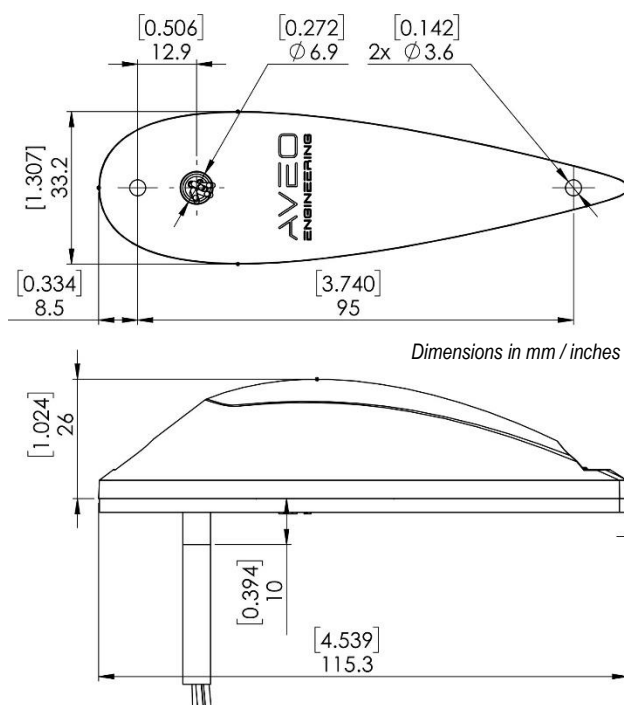
At only 26 millimeters in height (1.024 inch) the new PowerBurst NG™ DayLite is a value light that does not sacrifice anything in performance or standards as other economy-priced lights offered by the competition. Our exclusive and highly advanced optics and chrome reflector system, our unmatched power and LED management circuitry and our famous lowest-drag profile in the industry are all combined into a product that gives you unmatched POWER and FEATURES. Lower, narrower and shorter PLUS much lighter than industry lights in this category!



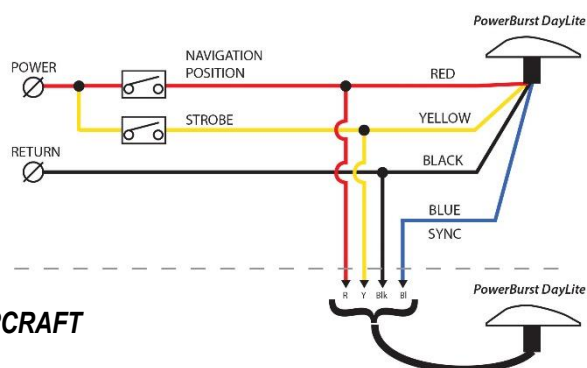
Specification

Dimensions (mm):	115 mm x 33 mm x 26 mm
Dimensions (inches):	4.539" x 1.307" x 1.024"
Weight:	64 g / 2.25 oz
Operating Voltage Range:	9 – 18 V DC
Input Current – Position / Nav - green (@14V):	0.28 A
Input Current – Position / Nav - red (@14V):	0.23 A
Input Current – Strobe (@14V):	2 A peak
Output Power – Position / Nav - green:	3.3 W
Output Power – Position / Nav - red:	2.5 W
Output Power – Strobe:	24 W peak
Repetition Rate of Strobe:	50 cycles per minute
Ambient Temperature:	from -40°C to +85°C from -40°F to +185°F
Overheat Protection:	Yes
Recommended size of mounting screw:	M3 / DIN 7984
Torque requirement for screw M3 / DIN 7984:	0.5 Nm
Reverse Polarity Protection:	Yes
Waterproof, Dust-proof, Vibration-proof:	Yes

Drawing



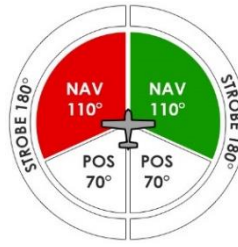
Wiring Diagram



**NOT APPROVED FOR INSTALLATION ON CERTIFIED AIRCRAFT
THIS IS NOT A TSO CERTIFIED LIGHT**

PowerBurst NG DayLite™

Navigation / Position / Strobe LED light



New color options!



Black Base:

Pair AVE-WPSTG/R-20D

P/N Left: AVE-WPSTR-20D Mod(2)
P/N Right: AVE-WPSTG-20D Mod(2)



White Base:

Pair AVE-WPSTG/R-2WD

P/N Left: AVE-WPSTR-2WD Mod(2)
P/N Right: AVE-WPSTG-2WD Mod(2)



Green/Red Bases:

Pair AVE-WPSTG/R-2GRD

P/N Left: AVE-WPSTR-2RD Mod(2)
P/N Right: AVE-WPSTG-2GD Mod(2)